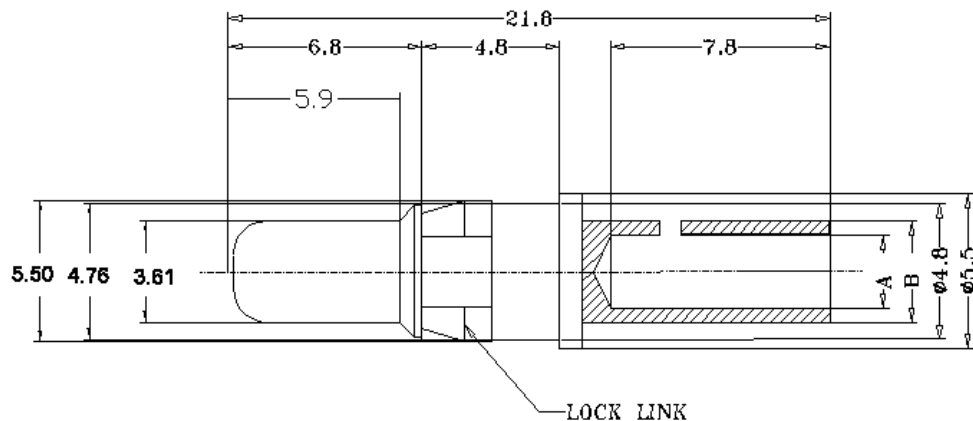


REVISION	DESCRIPTION	DATE
0	SET UP	AUG19/2005



PN#	Current Rating	Wire Size	Dimension		
			ØA	ØB	C
1A40-00	40 Amps	AWG #8	Ø4.6	Ø5.5	5.5
1A20-00	20 Amps	AWG #12	Ø2.7	Ø3.6	5.0
1A10-00	10 Amps	AWG #16	Ø1.7	Ø2.5	4.5

NO.	DESCRIPTION	MATERIAL	FINISH OR OTR
1	Body	Brass	Gold flash or Gold pl over 1.27um (50u") N
2	LOCK LINK	Brass	Nickel plate



HO CHIEN ENTERPRISE

TIT.E:

Power Crimp Type Male Contact

DR:	RON CHEN	CHK:	J.T.CHEN	APPD:	C.Y.LIN
-----	----------	------	----------	-------	---------

PAGE: 1 OF 1

HO CHIEN P.N.
1A10-00, 1A20-00, 1A40-00