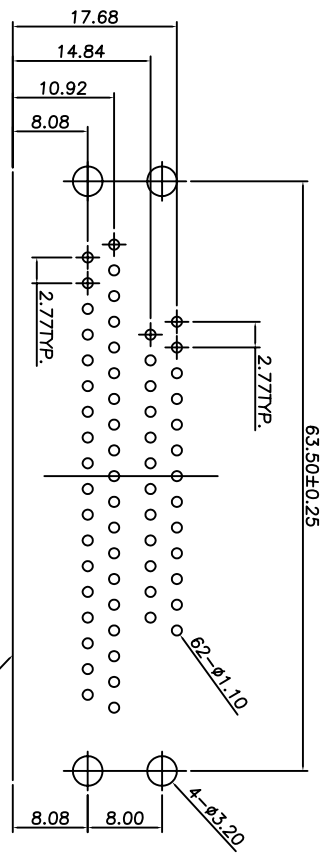
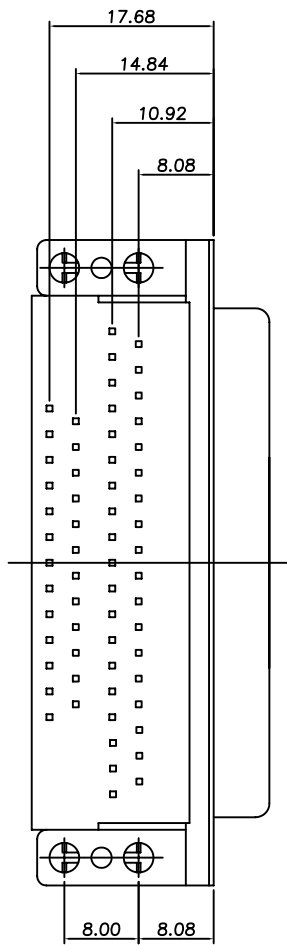
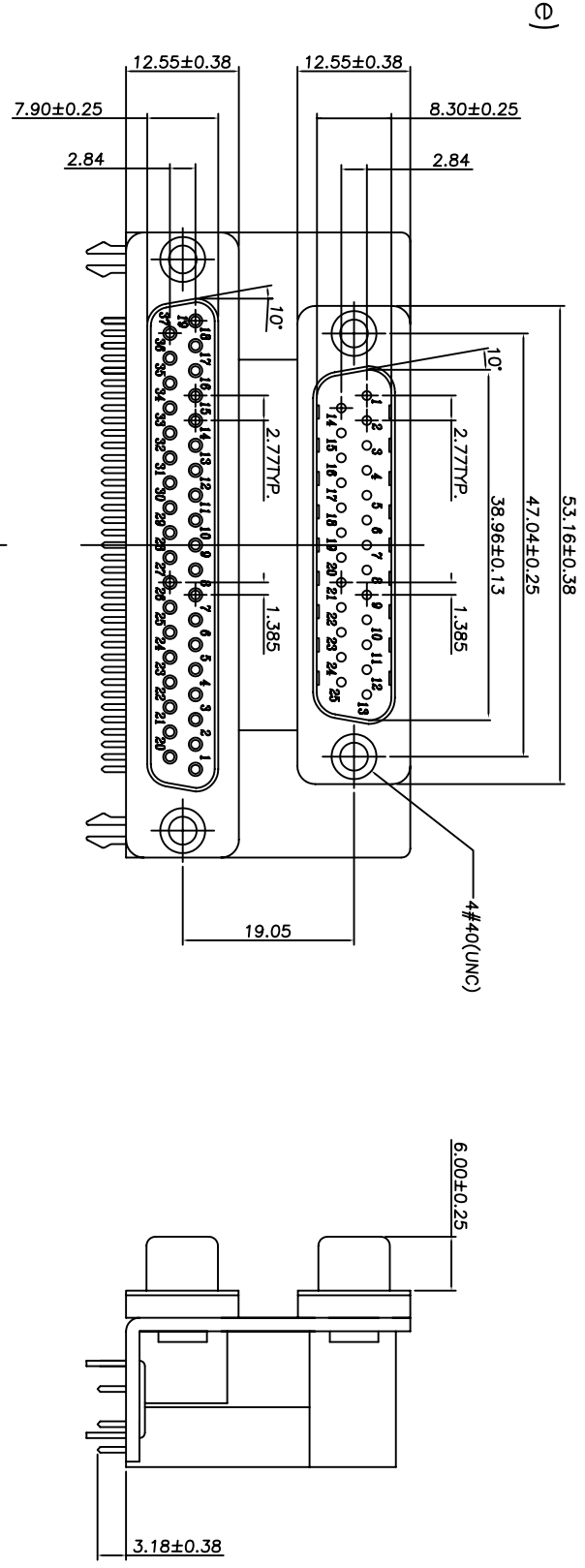


3009-29  
(25 Male/37Female)

| REVISION | DESCRIPTION | DATE        | APPD    |
|----------|-------------|-------------|---------|
| 0        | SET UP      | JUN/03/2008 | C.Y.LIN |



NOTES:

- MECHANICAL CHARACTERISTICS:
- INSERTION FORCE PER CONTACT: 341g MAX. CONTACT: BRASS.
- SEPARATION FORCE PER CONTACT: 21g MIN. INSULATOR: PBT UL 94V-0 RATED.
- SHELL: COLD ROLLER STEEL.
- ELECTRICAL CHARACTERISTICS:
- CONTACT CURRENT RATING: 3 AMPERES.
- DIELECTRIC WITHSTANDING VOLTAGE: AC 1000V/60sec. r.m.s.
- INSULATION RESISTANCE: 5000 MEGOHMS MIN. AT DC 500.
- CONTACT RESISTANCE : 25 MILLIOHMS MAX.
- OPERATING TEMPERATURE: -55 ~ +105 C.

ROHS COMPLIANT



HO CHIEN ENTERPRISE CO. LTD

Tolerance : ±0.2

UNIT : mm

TITLE : DUAL PORT SERIES D-SUB PCB RIGHT ANGLE

|      |          |       |          |        |         |        |        |               |          |
|------|----------|-------|----------|--------|---------|--------|--------|---------------|----------|
| DR : | RON CHEN | CHK : | J.T.CHEN | APPD : | C.Y.LIN | PAGE : | 1 OF 1 | HO CHIEN P/N. | 3009 -29 |
|------|----------|-------|----------|--------|---------|--------|--------|---------------|----------|