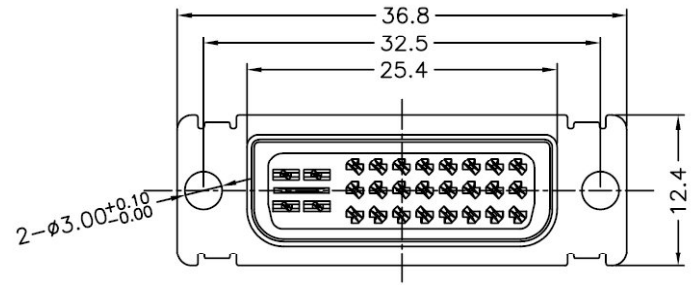
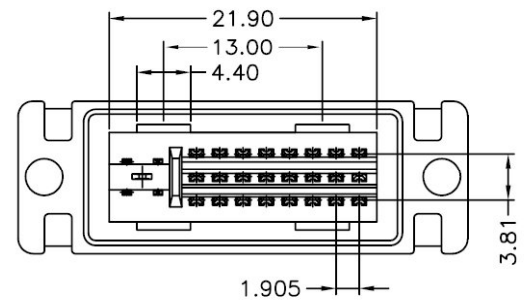
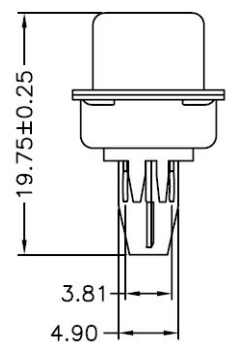
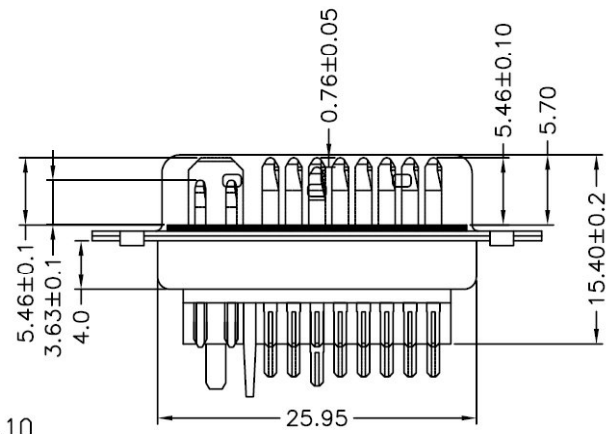
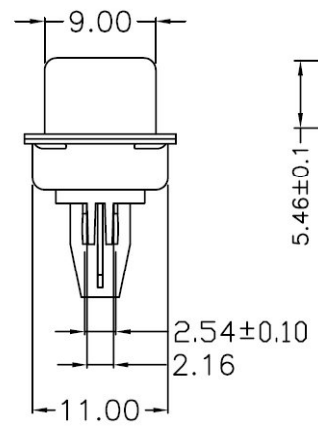


REV.	NOTES	DATE
A	RELEASED	2005/12/26
B	增加料號:AVI+11245-29B1	2006/08/17



NOTE:
 MATERIALS
 1.HOUSING : PBT+25%GF
 2.CONTACT : BRASS, GOLD/TIN PALTED
 3.FRONT SHIELD : SPCC, NICKEL PALTED
 4.BACK SHIELD : SPCC, TIN PLATED
 SPECIFICATION:
 1.CURRENT RATING: 1.5 AMP. MAX
 2.DIELECTRIC WITHSTANDING VOLTAGE:
 500V AC R.M.S. FOR ONE MINUTE
 3.INSULATION RESISTANCE: 1000M OHMS MIN.AT 500V DC
 4.CONCACT RESISTANCE: 20m OHMS MAX
 5.OPERATING TEMPERATURE: 0°C TO +85°C
 6.MAX. PROCESSING TEMPERATURE:
 230°C FOR 30~60 SECONDS(HI.-TEMP.PLASTIC)
 7.THE 14PIN HIGHEST SHORT 0.76m/m OTHER PIN



PART NO.	PLATING	COLOR	FRONT SHELL	BACK SHELL
AVI+11245-20B	GOLD/TIN PLATED	BLACK	NICKEL PLATED	TIN PLATED
AVI+11245-29B	GOLD/TIN PLATED	WHITE	NICKEL PLATED	TIN PLATED
AVI+11245-T9B	GOLD(3u")/TIN PLATED	WHITE	NICKEL PLATED	TIN PLATED
AVI+11245-29B1	GOLD/TIN PLATED	WHITE	GOLD PLATED	TIN PLATED

單位(UNITS)	mm
數量(QTY)	N/A
材料(MTL)	SEE NOTE
處理(FINISH)	SEE NOTE

HO CHIEN
www.hochien.com

圖名(NAME)
DVI 24+5公(BC) 半金黑 無毒

料號(PART NUMBER)	AVI+11245-20B
圖號(DRAW NUMBER)	RAVI1124520B
圖檔(FILE NAME .DWG)	E:GCT/A/VI/11/B

比例(SCALE)	1/1	圖紙(SIZE)	A4	頁次(SHEET)	1	版次(REV.)	B
-----------	-----	----------	----	-----------	---	----------	---

DIMENSIONS TOLERANCE	METRIC
.0= ±.20	
.00= ±.10	
.000= ±.XXX	
.0000= ±	
ANG.= ±2'	

繪圖(DRAW)	
設計(DE'N)	
審校(CH'K)	
核准(APP'D)	