
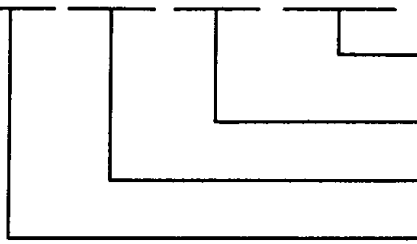


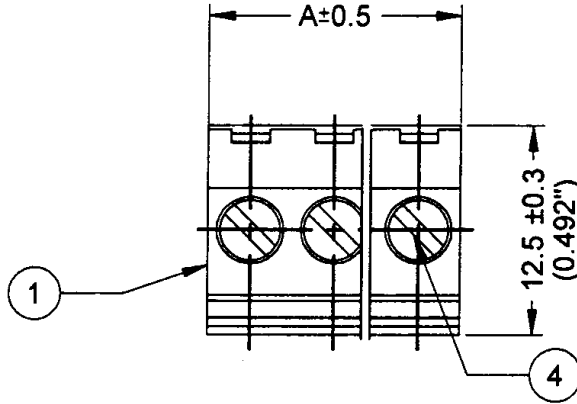
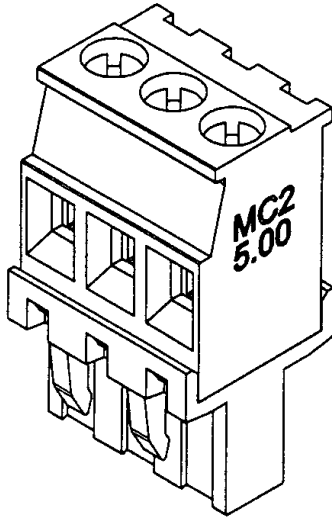


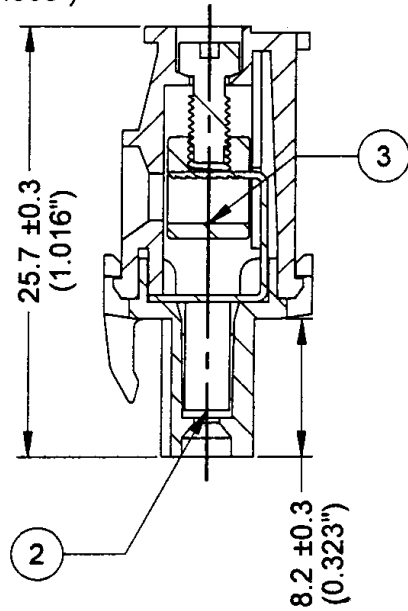
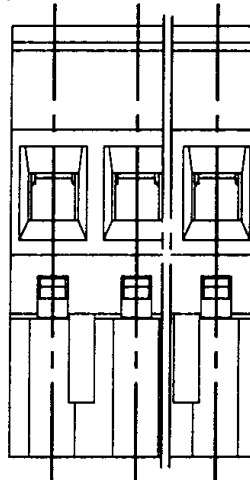
HCMC200-E1 



  : Poles
 E1 : Pitch 5.0mm
 200 : STANDARD
 MC : Type



5 ±0.1 (0.197") 2.5 ±0.2 (0.098")



Pitch:					
Poles	A(mm)	A(in)	Poles	A(mm)	A(in)
2	10.00	0.394	15	75.00	2.952
3	15.00	0.591	16	80.00	3.149
4	20.00	0.787	17	85.00	3.346
5	25.00	0.984	18	90.00	3.543
6	30.00	1.181	19	95.00	3.740
7	35.00	1.378	20	100.00	3.937
8	40.00	1.575	21	105.00	4.133
9	45.00	1.772	22	110.00	4.331
10	50.00	1.969	23	115.00	4.527
11	55.00	2.165	24	120.00	4.724
12	60.00	2.362	25		
13	65.00	2.559	26		
14	70.00	2.755	27		

Current rating : 16Amp AC300V

Insulation withstands volt : AC2000 min

Insulation resistance : >2000MΩ DC500V

Operation temperature : -40° C to +105° C

	Material	Plating/Finish	Remark
1	Insulating body	Polyamide 66(UL94V-0)	Green
2	Contact	Phosphor bronze	Tin plated
3	Cage clamp	Brass	Ni plated
4	Screw	Steel	Ni plated
5			

HO CHIEN

www.hochien.com